

XF1 SPORT | MANUAL

Injection moulded polyurethane grips

Construction made of metal and carbon fiber

4.3-inch IPS LCD with 480x272 pixels

3 LED bars for displaying RPM, flag, and status.

Up to 15 different LCD dashboards

Optional non-contact clutch and optional paddles

70mm quick release holes and bolt holes

LEDX1

Notes

- Please read the user guide manual completely before installing or operating the racing wheel.
- This racing wheel has screen components, so it is important to avoid pressing the screen during use and minimize contact with it.
- When connecting the racing wheel to the base, make sure that it is firmly attached before turning off the power.
- If using a USB connection, connect it directly to the PC instead of using a USB hub.
- Any modifications, disassemble, tampering, changes or unauthorized uses of the product will void the warranty.
- The racing wheel should not be used in wet or liquid environments and should be kept away from high temperatures, low temperatures, and direct sunlight.
- The maximum input for the USB is 5V 1A.
- This racing wheel is designed for simulation use only.
- Leoxz is responsible for revising and explaining this manual, and reserves the right to make changes or corrections to the information and explanation provided without prior notice and without any responsibility.

What's included

- XF1 Sport Steering Wheel
- USB-XS9 Cable
- Custom Stickers
- M3 Allen Key

Note: The M3 allen key can only be used to adjust the paddle and remove the front knob for easy sticking of stickers.

Connection

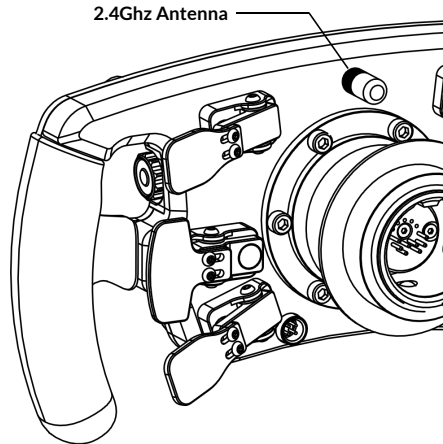
The XF1 Sport supports PC connection via USB 2.0 and BLE 5.0. Both options provide low latency. It is highly recommended to use the BLE connection, as most bases can power the steering wheel through the quick release, providing an immersive experience. When using BLE, it is important to ensure that the external antenna is securely installed.

USB 2.0

For USB wired connection, use the USB-XS9 cable. The attached spring cable should be used for connection. Please be mindful of the USB cable winding and avoid excessive pulling, as it may cause permanent damage to the XS-9 interface.

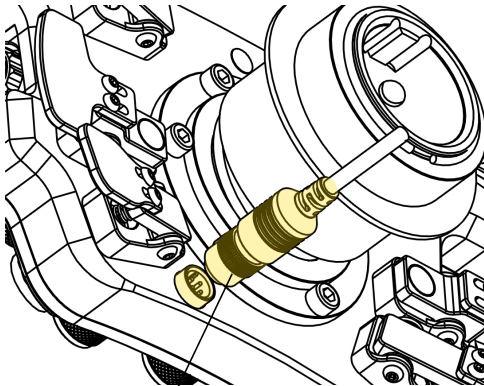
BLE 5.0

The BLE 5.0 wireless connection requires power from the quick release and a PC with a Bluetooth adapter. It is backward compatible with BLE 4.0 and 4.2.

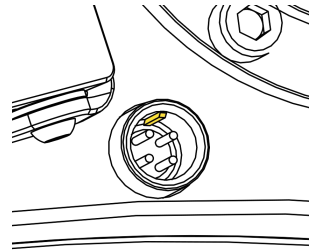


USB Connection

For USB wired connection, use the USB-XS9 cable. The attached spring cable should be used for connection. Please be mindful of the USB cable winding and avoid excessive pulling, as it may cause permanent damage to the XS9 interface.



USB-XS9 Cable



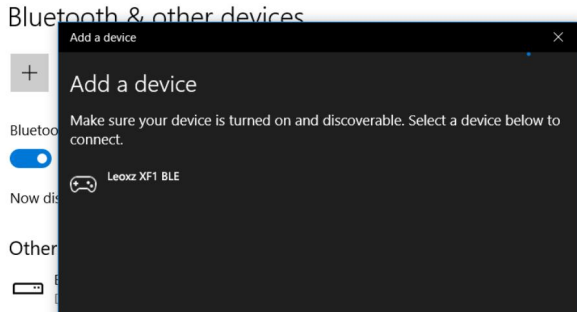
Note: Make sure that the USB-XS9 cable is aligned with the raised mark of the XS9 interface, otherwise it will cause permanent damage to the socket if it is inserted forcibly.

BLE Connection

The XF1 is recommended to be connected wirelessly, as it eliminates the constraints of a USB cable and offers low latency and high reliability.

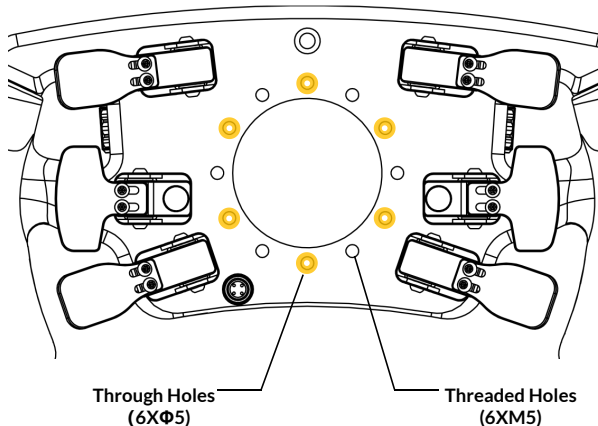
The XF1 supports Bluetooth connection through BLE 4.0, 4.2, and 5.0. The first Bluetooth connection requires pairing the steering wheel with the PC. Subsequent connections will occur automatically.

On your PC, select Start > Settings > Devices > Bluetooth & other devices > Add Bluetooth or other device > Bluetooth. Choose “Leoxz XF1 BLE”, then select Done.



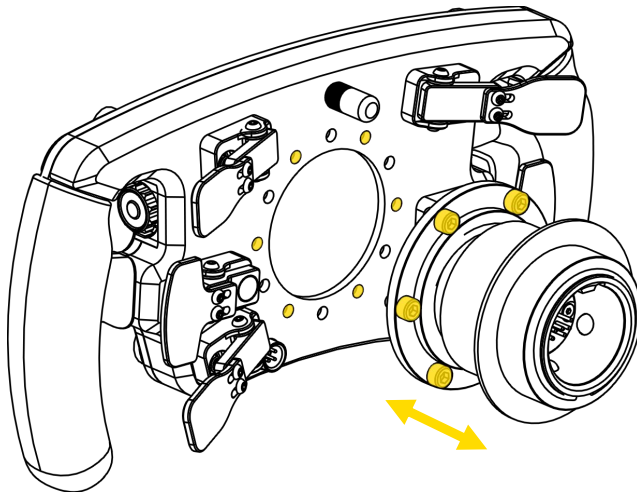
QR Installation

The XF1 Sport has 12 mounting holes with a diameter of 70mm for quick release installation, including 6 through holes and 6 threaded holes. It supports a maximum diameter of 88mm for the quick release.



Note: The length of the bolt that extends into the steering wheel should not exceed 6mm, it is recommended to use M5X10 bolts. Using bolts that are too long may cause interference between the bolts and the PCB.

Install QR From Outside



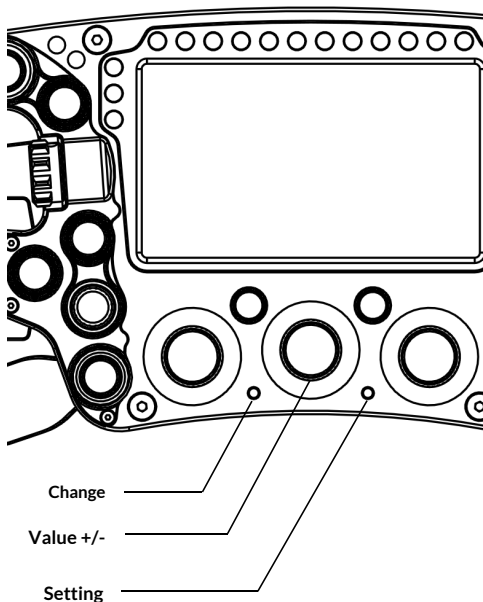
Note: Using any QR must and can only be powered and signaled to the XF1 Pro via the USB-XS9 cable.

Menu Setting

As shown in the figure, the XF1 Sport can quickly switch the screen dashboard through the “Change” button. It has over 15 built-in dashboard and more types will be added with firmware updates.

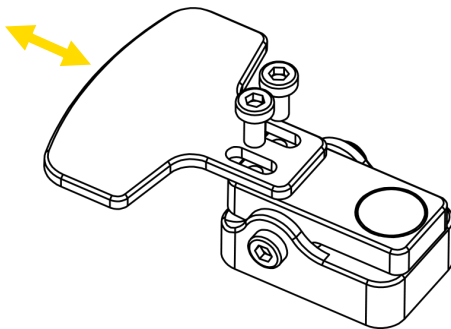
The “Setting” button allows you to switch between different setting menus, which include options for adjusting screen brightness, LED bar brightness, clutch bite point, axis mode, and more. You can increase or decrease the parameters by using the “Value” encoder.

Short press the “Setting” button to enter the setting menu, then use the <Change> button to exit the setting menu.



Paddle Adjustment

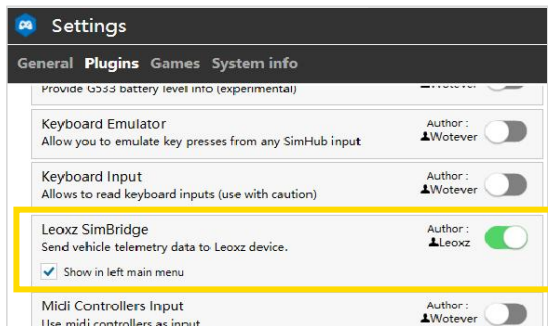
All paddles can be adjusted to meet the size requirements of different people. By adjusting the two screws of the paddles, move the paddles outward or inward, and then tightened securely with the screws.



Note: The operating torque of the bolts should not exceed 3Nm.

SimBridge Plugin For Simhub

XF1 Sport will be compatible with simhub through simbridge and enabling LEDs customization. To use it, you need to place SimBridge in the Simhub installation directory and restart Simhub for it to take effect.



Note: You can download the latest version on the website www.leoxz.com.

Firmware Update

Through the “Setting” menu of Simbridge, you can check the current firmware version of XF1 Sport(**V15** as shown in the image below) and update the latest firmware. Once the update is completed, XF1 Sport will automatically restart.



Note: You can download the latest firmware on the website www.leoxz.com. Do not operate the steering wheel during the update process, as it may cause unexpected errors.

LEOX1

www.leoxz.com

support@leoxz.com

Copyright © 2023 Leoxz® All Rights Reserved